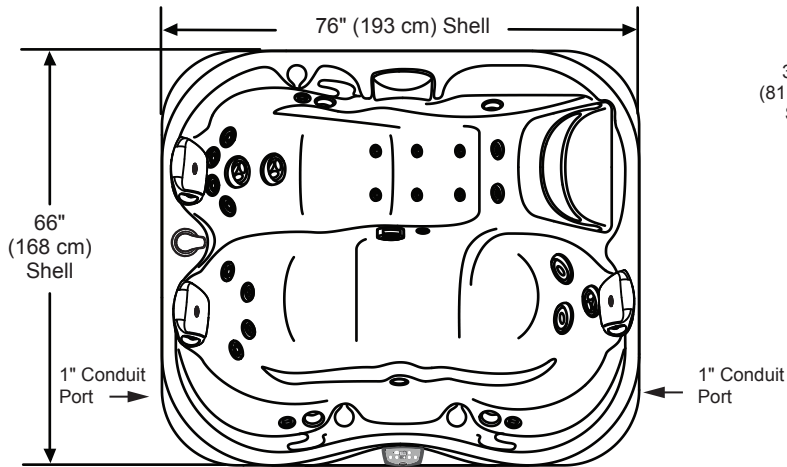


TOP VIEW

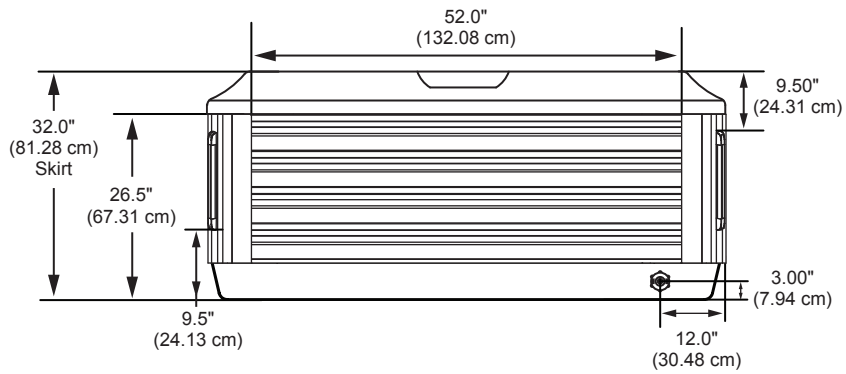


FRONT

Equipment Bay/Pump Access
CLEARRAY, Optional BLUEWAVE,
and Optional SmartTub Module
behind skirt panels

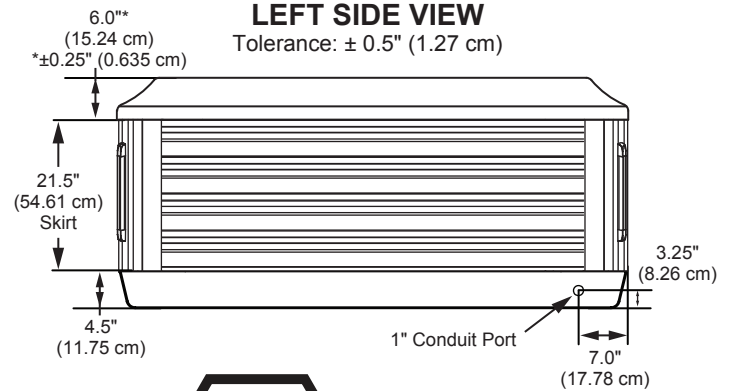
FRONT/BACK VIEW

Tolerance: $\pm 0.5"$ (1.27 cm)



LEFT SIDE VIEW

Tolerance: $\pm 0.5"$ (1.27 cm)



IMPORTANT! Always measure each hot tub for exact dimensions BEFORE designing its foundational support and/or decking.



Important Panel Details

NOTE: Over time the panel(s) may bow, this is considered normal. The panels will straighten out when reinstalled into the mounting channel. Place one end of the panel into the channel first then flatten the panel and insert the other end.

